

NOTES: 1) INTERNAL 2000 LINE ENCODER, 8000 COUNTS PER REVOLUTION  
INDEX LINE ON ENCODER WHEEL  
2) Mating Connector is 26 Female High Density D-Sub Connector  
by NorComp Part# 180-026-202-001 (solder cup connection).  
3) Dimensionals are normal unless otherwise indicated.

PART NO.  
SS23X00000000

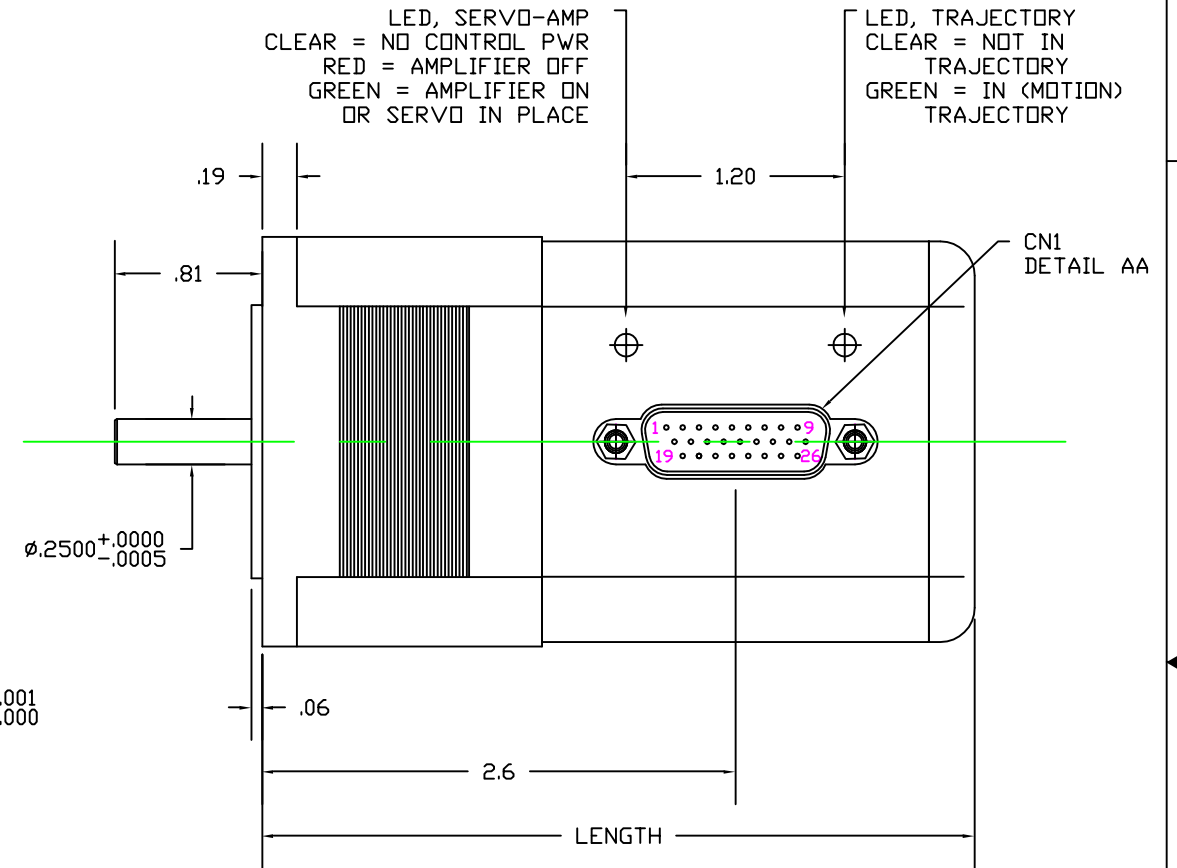
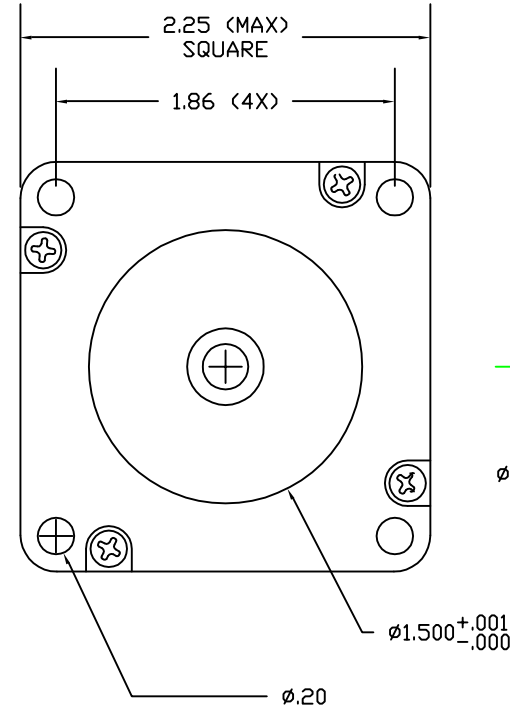
DRAWING REVISIONS

DWG REV	DESCRIPTION	DATE

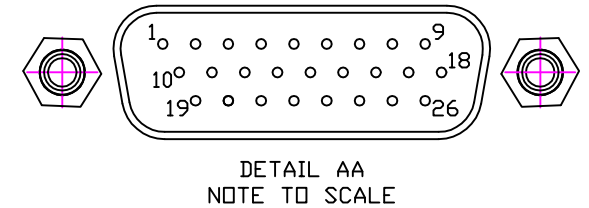
I/O PORTS			
PIN#	NAME	FUNCTION	DESCRIPTION
1	PORT A	DIGITAL I/O	5V-TTL, INPUT: sink 5mA/OUTPUT: sink 10mA, source 5mA
		ANALOG IN	SINKING INPUT, 0 to 5Vdc 10-Bit RESOLUTION
2	PORT B	DIGITAL I/O	5V-TTL, INPUT: sink 5mA/OUTPUT: sink 10mA, source 5mA
		ANALOG IN	SINKING INPUT, 0 to 5Vdc 10-Bit RESOLUTION
3	PORT C	POS LMT IN	SINKING INPUT 5mA, TRIGGER HIGH
		DIGITAL I/O	5V-TTL, INPUT: sink 5mA/OUTPUT: sink 10mA, source 5mA
4	PORT D	ANALOG IN	SINKING INPUT, 0 to 5Vdc 10-Bit RESOLUTION
		NEG LMT IN	SINKING INPUT 5mA, TRIGGER HIGH
5	PORT E	DIGITAL I/O	5V-TTL, INPUT: sink 5mA/OUTPUT: sink 10mA, source 5mA
		ANALOG IN	SINKING INPUT, 0 to 5Vdc 10-Bit RESOLUTION
6	PORT F	DIGITAL I/O	5V-TTL, INPUT: sink 5mA/OUTPUT: sink 10mA, source 5mA
		ANALOG IN	SINKING INPUT, 0 to 5Vdc 10-Bit RESOLUTION
7	PORT G	G-SYN	5V-TTL, INPUT: sink 5mA (G command)
		G INTERPT	5V-TTL, INPUT: sink 5mA (use w/F=64 ROUTINE C2)
		DIGITAL I/O	5V-TTL, INPUT: sink 5mA/OUTPUT: sink 10mA, source 5mA
		ANALOG IN	SINKING INPUT, 0 to 5Vdc 10-Bit RESOLUTION
8	GND	GROUND	Ground (also connected to Main Ground)
14	Brk	BRK OUTPUT	BRK SIGNAL OUT TTL COMPATIBLE 3V, SOURCE/SINK 4mA Drives to GND to ENGAGE BRAKE
15	Bt	Bt OUTPUT	TRJ SIGNAL OUT TTL COMPATIBLE 3V, SOURCE/SINK 4mA Drives to GND when NON-Trajectory, Bt is 0
16	5Vdc	+5Vdc out	Ref. to TTL I/O, Max load: 200 mA
23	Bo	GND	Bo SIGNAL OUT TTL COMPATIBLE 3V, SOURCE/SINK 4mA Drives to GND when Amp is ON, Bo is 0
24	Pc	CNTRL PWR	Control Power Input (20-35VDC)

Com/Encoder PORTS			
PIN#	NAME	FUNCTION	DESCRIPTION
10	ENC A	ENC A IN	SINKING INPUT 10mA (Isolated)
		STEP INPUT	Max Speed is 2MHz w/500 ohm impedance
11	ENC B	ENC B IN	SINKING INPUT 10mA (Isolated)
		DIR INPUT	Max Speed is 2MHz w/500 ohm impedance
13	RS485 A	RS485 A	RS-485-A (Isolated)
21	RS485 B	RS485 B	RS-485-B (Isolated)
19	ENC A OUT	ENC A OUT	Encoder A Output (Isolated)
20	ENC B OUT	ENC B OUT	Encoder B Output (Isolated)
12	GND (ISD)	GND (ISD)	Isolated Ground Ref. (CDMM for RS485 and ENC signal)
22	5Vdc (ISD)	5Vdc (ISD)	+5VDC Ref. (Isolated) Max load 40mAmps

Power			
PIN#	NAME	FUNCTION	DESCRIPTION
9	PWR	POWER INPUT	Main Power Input (20-85VDC)
18			
26	Gnd	GND INPUT (RETURN)	Main System Ground
8			
17			
25			



SPECIFICATION	UNITS	MODEL			
		SS2310	SS2320	SS2330	SS2340
Continuous Torque	oz-in	68	137	195	307
Peak Torque	oz-in	68	137	268	332
Power	Hp	0.04	0.04	0.095	0.105
Encoder Resolution	Counts	8000	8000	8000	8000
Rotor Inertia	oz-in-sec <sup>2</sup>	0.0018	0.0039	0.0067	0.0088
Weight	LB	1.45	1.94	2.76	3.97
Length	in	3.9	4.4	5.4	6.7
Thermal Limit	°C	85	85	85	85



ITEM NO.	QTY	PART NO.	DESCRIPTION	MATERIAL SPECIFICATION
PARTS LIST				
UNLESS OTHERWISE SPECIFIED, DIMENSIONS & TOLERANCES ARE PER ANSI Y14.5M AND ARE IN INCHES. TOLERANCES ARE AS FOLLOWS: DECIMALS .xxx±.01    ANGLES ±.ANGTOL .xxx±.005    .xxxx±.xxxx			THIRD ANGLE PROJECTION	
MATERIAL		DRAWN	DATE	<h2 style="margin: 0;">Servida Corporation</h2> <h3 style="margin: 0;">SERVO_STEP</h3> <h3 style="margin: 0;">SS23X00000000</h3>
MATERIAL		MINH_TRAN	04/28/04	
FINISH		SCALE	SIZE	COMPUTER GENERATED DRAWING
FINISH		1/2	B	PART NO.
				SS23X00000000
				DWG REV
				1
				SHEET
				1_OF_1

CONFIDENTIAL. THE INFORMATION CONTAINED HEREIN IS THE PROPRIETARY PROPERTY OF ANIMATICS CORPORATION. AND IS PROTECTED AS A TRADE SECRET. IT IS SUBMITTED FOR USE BY RECIPIENT ONLY FOR A BUSINESS PURPOSE AUTHORIZED BY ANIMATICS CORPORATION. ANY OTHER USE IS PROHIBITED. RECIPIENT AGREES TO KEEP SUCH INFORMATION CONFIDENTIAL.