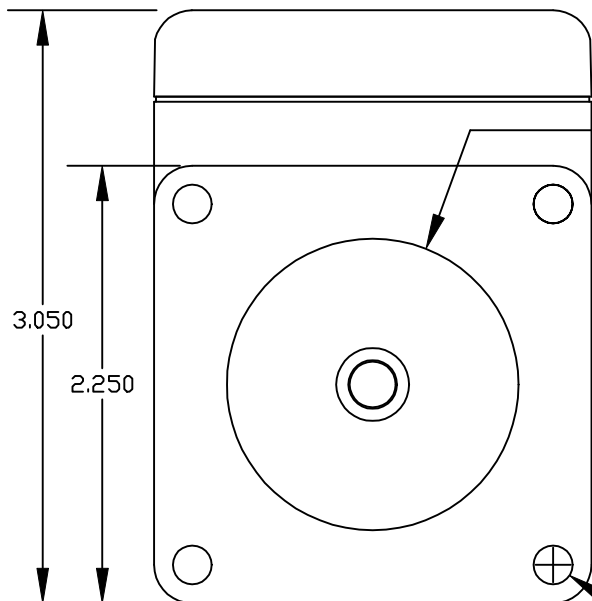
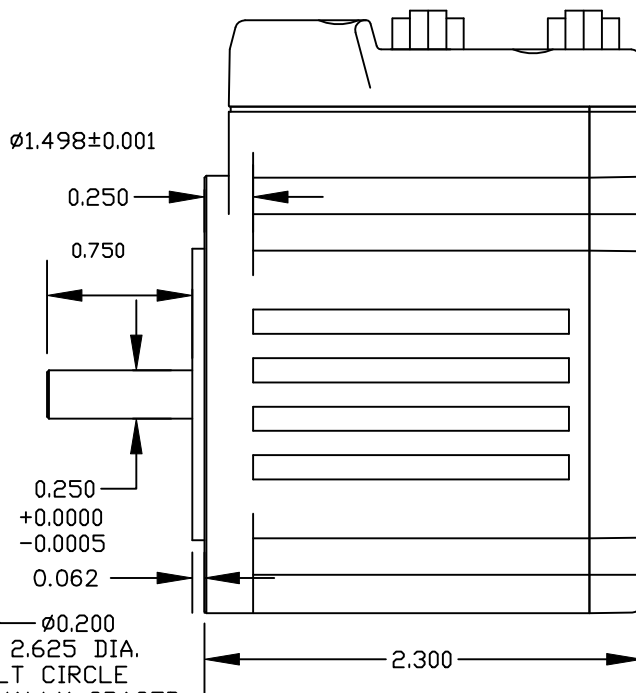


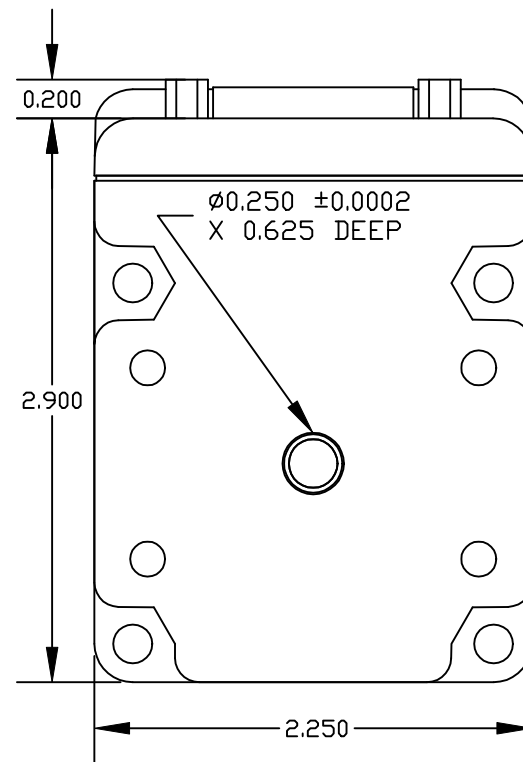
NOTE: 1 REFER TO DRAWING '2315D PINOUT' FOR CONNECTOR PINOUTS AND FUNCTION



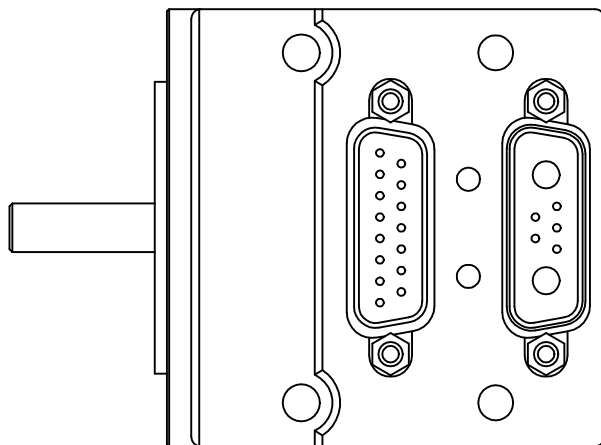
FRONT



SIDE



REAR



TOP

TITLE: SM2315D TRUE SERVO	
REV: 2	MATERIAL: CAST ALUMINUM
DATE: 3/1/01	FINISH: BLACK POWDER COAT
TOL: X.XXXX +/- .005 X.XXX +/- .005 INCHES X.XX +/- .01	ANIMATICS CORPORATION 3050 TASMAN DR. SANTA CLARA
UNLESS OTHERWISE NOTED	