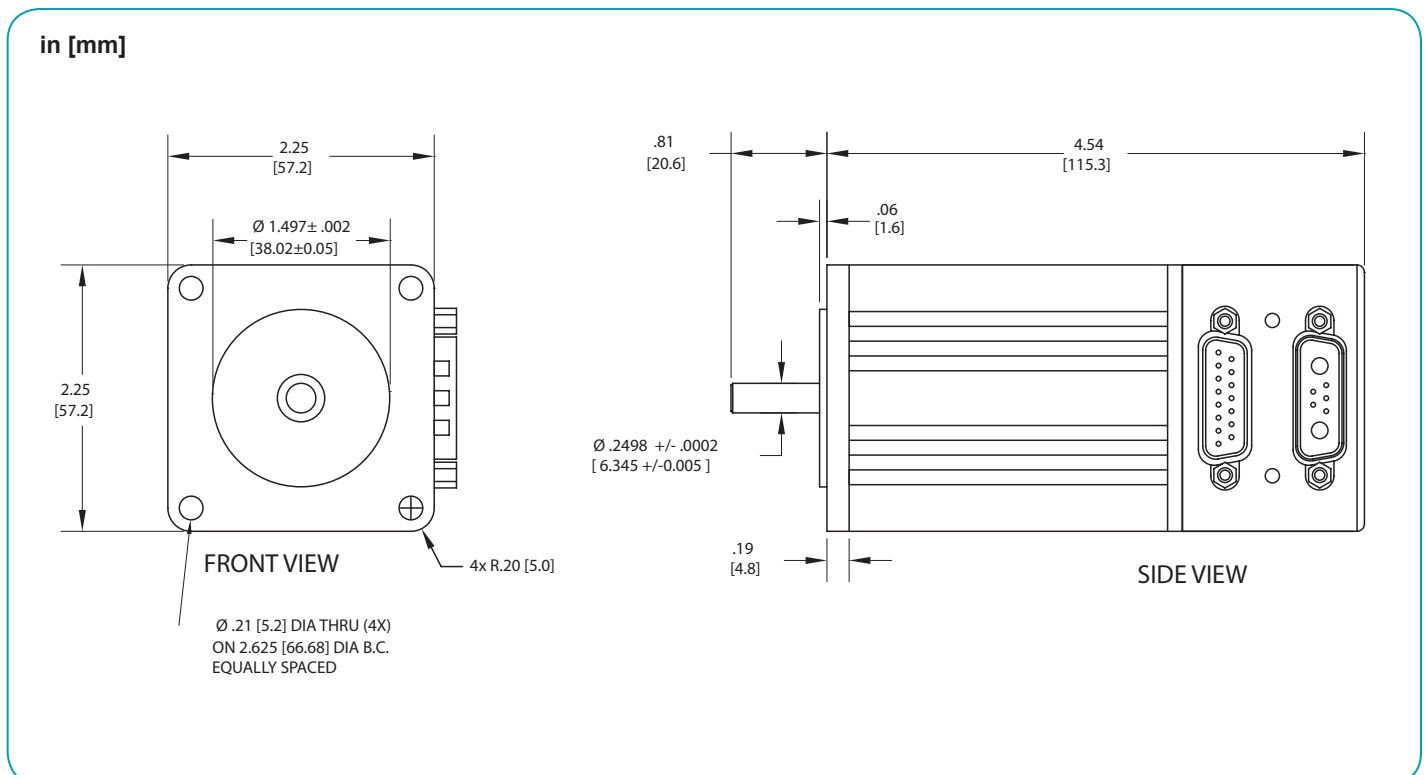


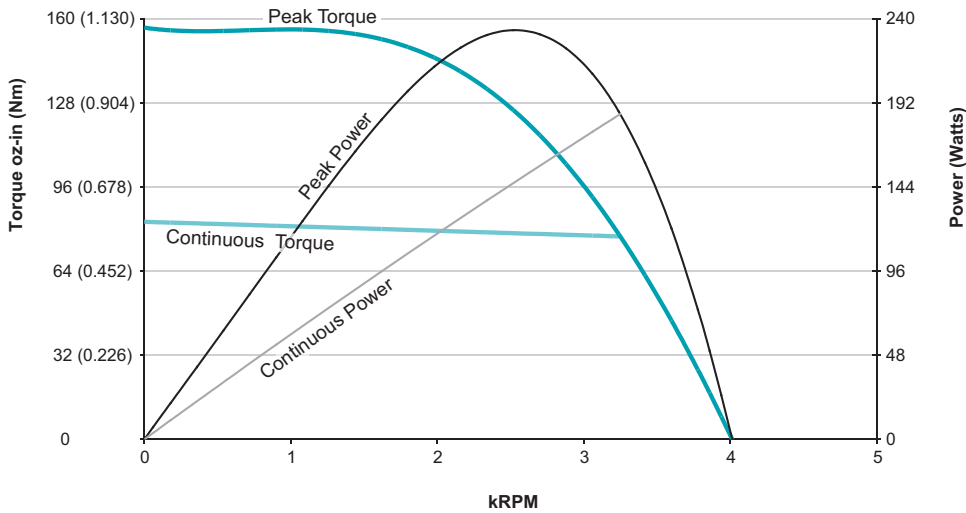
SV2337DT-PLS2		
Continuous Torque	5.18	in-lb
	83	oz-in
	0.59	N-m
Peak Torque	9.80	in-lb
	157	oz-in
	1.11	N-m
Nominal Continuous Power	186	Watt
No Load Speed	4,000	RPM
Continuous Current @ Nominal Power	5.9	Amps
Voltage Constant	10.95	V/kRPM
Winding Resistance	0.9	ohms
Encoder Resolution	4,000	Counts/Rev
Rotor Inertia	0.0019	oz-in-sec ²
	1.342	10 ⁻⁶ Kg-m ²
Weight	2.2	lb
	0.98	kg
Shaft Diameter	0.250	in
	6.35	mm
Shaft, Radial Load	7	lb
	3.18	kg
Shaft, Axial Thrust Load	3	lb
	1.36	kg
EtherNet Available		
DeviceNet Available	Yes*	
ProfiBus Available	Yes*	
CanOpen Available		



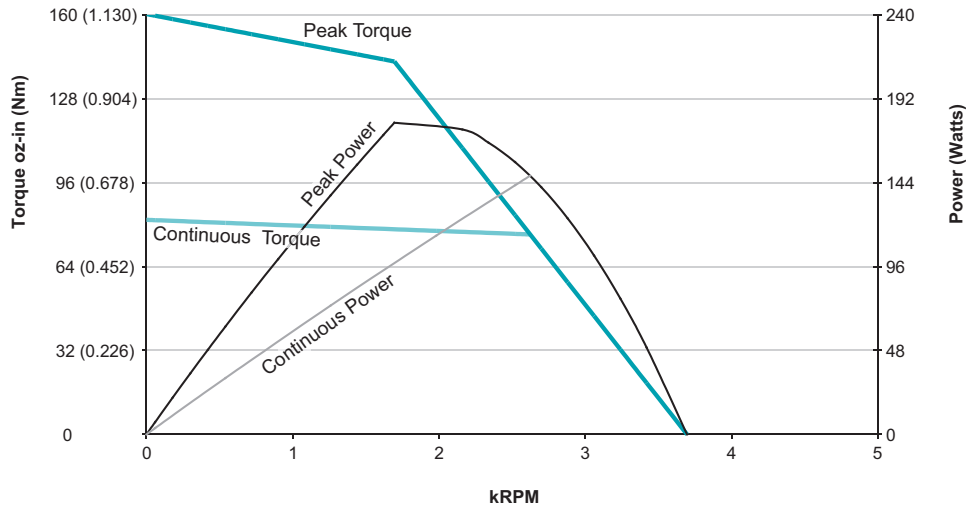
*Note: These options are only available for PLS firmware, not PLS2 firmware

Servida Motor SV2337DT-PLS2 (No Options) CAD Drawing

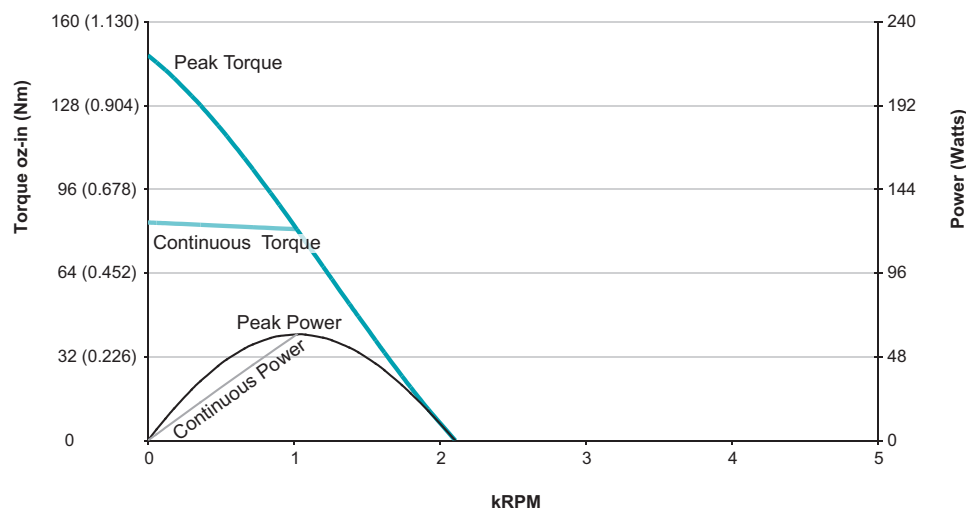




**SV2337DT-PLS2
at 48 VDC
at rise to 85°C**



**SV2337DT-PLS2
at 42 VDC
at rise to 85°C**



**SV2337DT-PLS2
at 24 VDC
at rise to 85°C**