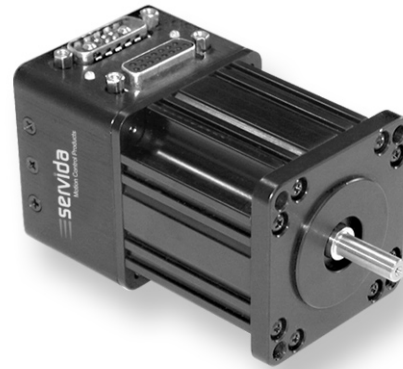
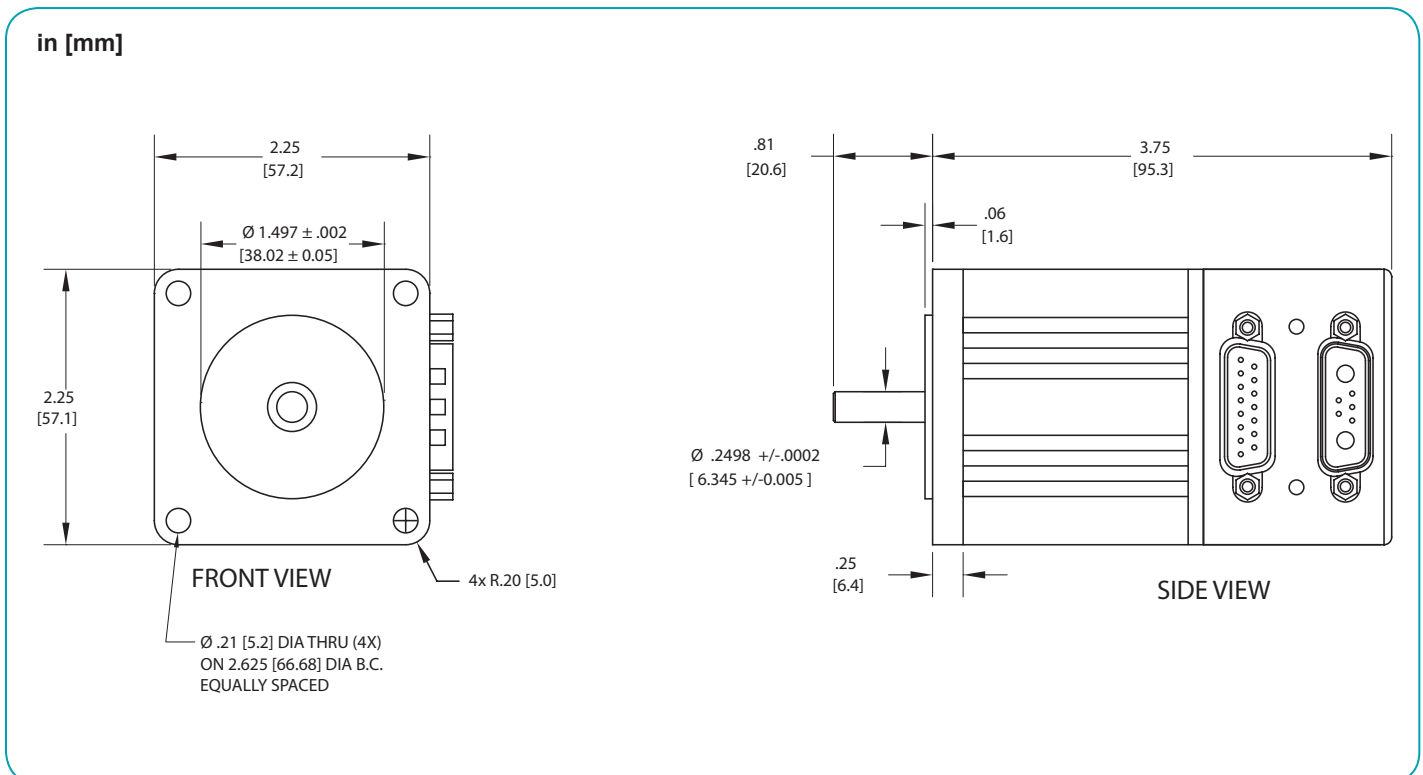


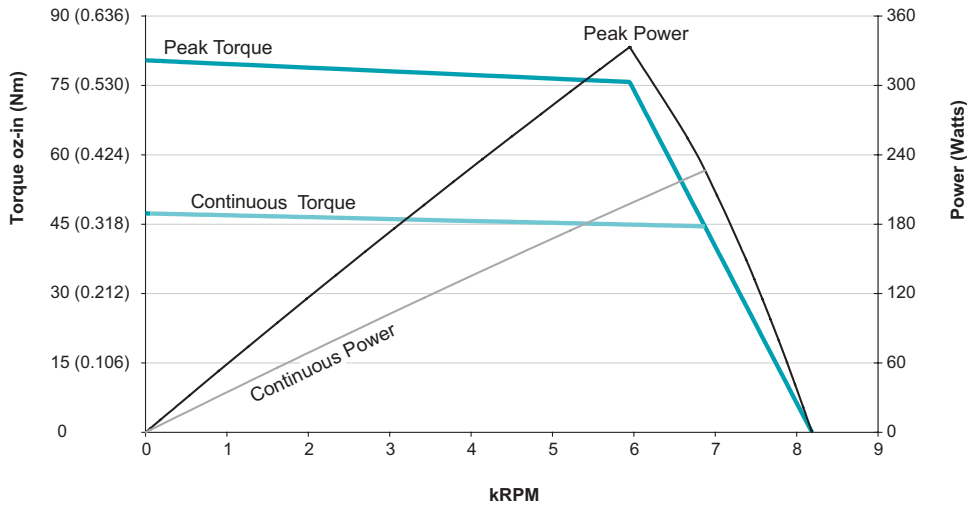
SV2320D-PLS2		
Continuous Torque	2.96	in-lb
	47	oz-in
	0.33	N-m
Peak Torque	5.03	in-lb
	80	oz-in
	0.57	N-m
Nominal Continuous Power	226	Watt
No Load Speed	8,100	RPM
Continuous Current @ Nominal Power	6.6	Amps
Voltage Constant	6.6	V/kRPM
Winding Resistance	1.1	ohms
Encoder Resolution	4,000	Counts/Rev
Rotor Inertia	0.00184	oz-in-sec ²
	1.300	10 ⁻⁶ Kg-m ²
Weight	1.7	lb
	0.79	kg
Shaft Diameter	0.250	in
	6.35	mm
Shaft, Radial Load	7	lb
	3.18	kg
Shaft, Axial Thrust Load	3	lb
	1.36	kg
EtherNet Available		
DeviceNet Available	Yes*	
ProfiBus Available	Yes*	
CanOpen Available		



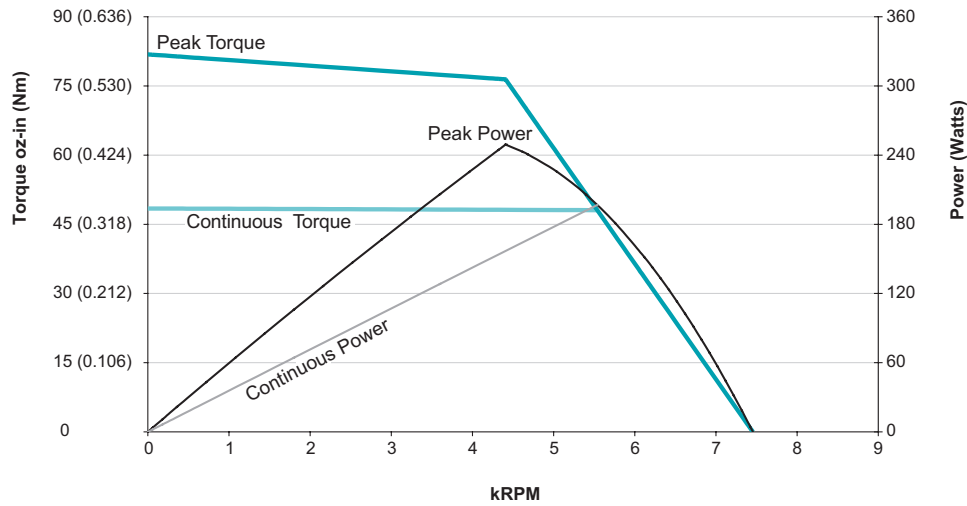
*Note: These options are only available for PLS firmware, not PLS2 firmware

Servida Motor SV2320D-PLS2 (No Options) CAD Drawing

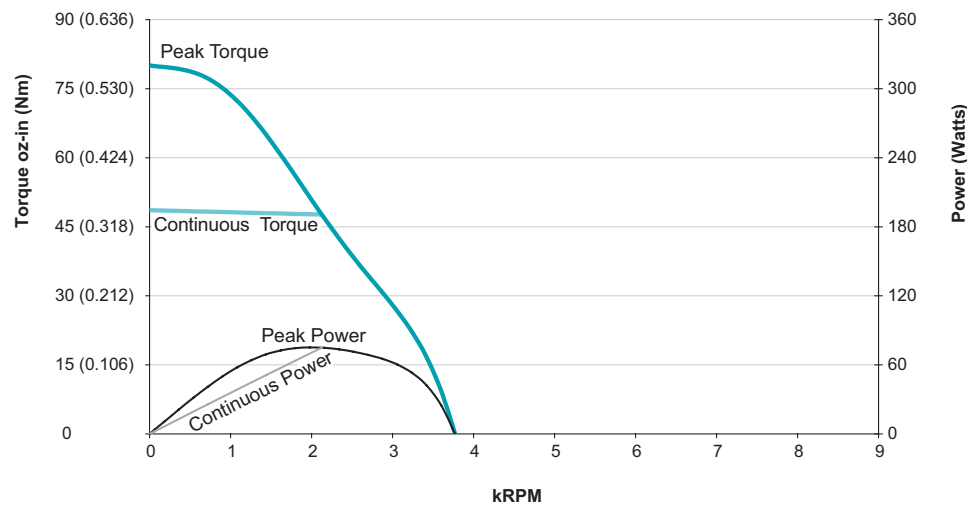




**SV2320D-PLS2
at 48 VDC
at rise to 85°C**



**SV2320D-PLS2
at 42 VDC
at rise to 85°C**



**SV2320D-PLS2
at 24 VDC
at rise to 85°C**