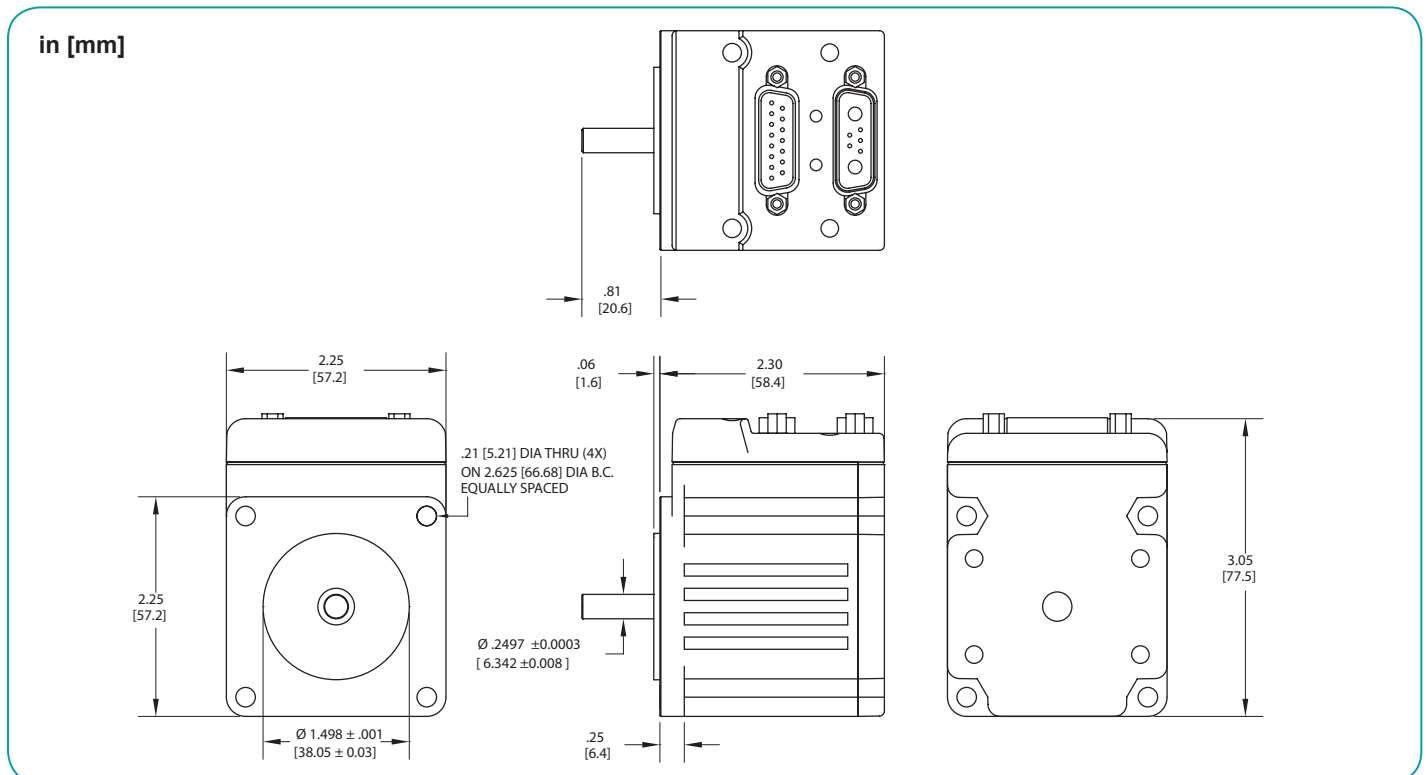
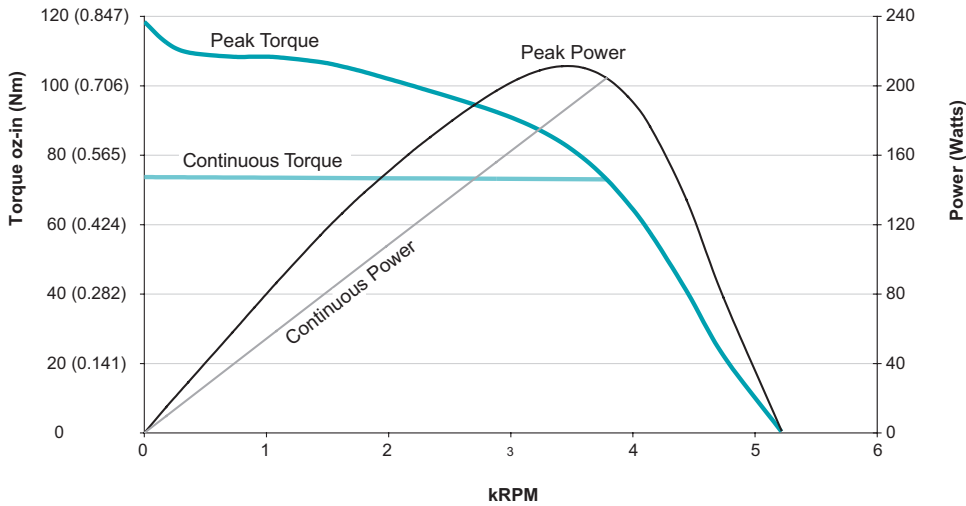


SV2316DT-PLS2		
Continuous Torque	4.61	in-lb
	74	oz-in
	0.52	N-m
Peak Torque	7.40	in-lb
	118	oz-in
	0.84	N-m
Nominal Continuous Power	204	Watt
No Load Speed	5,200	RPM
Continuous Current @ Nominal Power	6.1	Amps
Voltage Constant	9.08	V/kRPM
Winding Resistance	0.7	ohms
Encoder Resolution	4,000	Counts/Rev
Rotor Inertia	0.001	oz-in-sec ²
	0.706	10 ⁻⁶ Kg-m ²
Weight	1.3	lb
	0.59	kg
Shaft Diameter	0.250	in
	6.35	mm
Shaft, Radial Load	7	lb
	3.18	kg
Shaft, Axial Thrust Load	3	lb
	1.36	kg
EtherNet Available	Yes	
DeviceNet Available		
ProfiBus Available	Yes	
CanOpen Available	Yes	

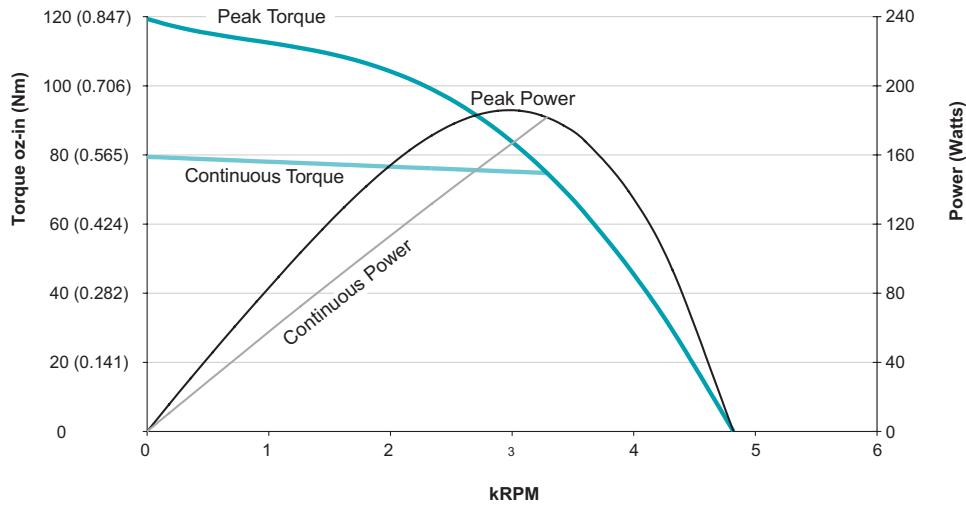


Servida Motor SV2316DT-PLS2 (No Options) CAD Drawing

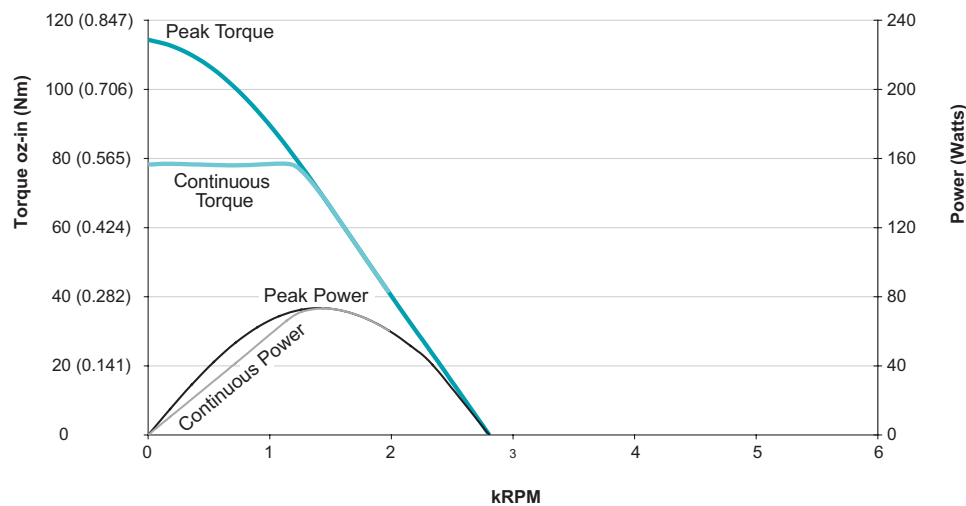




SV2316DT-PLS2
at 48 VDC
at rise to 85°C



SV2316DT-PLS2
at 42 VDC
at rise to 85°C



SV2316DT-PLS2
at 24 VDC
at rise to 85°C